



BID BULLETIN NO. 3
SEPTEMBER 02, 2019

PUBLIC BIDDING NO. 19-263-2

SUPPLY AND DELIVERY OF VARIOUS OFFICE FURNITURE
FOR THE BUREAU OF IMMIGRATION

Issued pursuant to Sec. 22.5 of the IRR of R.A. 9184 to clarify and/or amend¹ certain provisions in the Bidding Documents issued for this project, considering the issues raised and clarifications made by prospective bidders during the **Pre-Bid Conference** held on **28 August 2019**, likewise, respond to bidders' written queries received within the prescriptive period for filing.

I. AMENDMENTS

A. BID DATA SHEET

REFERENCE/AMENDMENT		JUSTIFICATION/ EXPLANATION
12.1(a)	The valid PhilGEPS Certificate of Registration (Platinum Membership)... xxx a) Business Registration; b) 2019 Mayor's Permit; c) 2017 <u>2018</u> Audited Financial Statement; d) Valid current TAX Clearance; xxx	To correct and update the year requirement for the Audited Financial Statement and latest Income Tax Returns for the year.
29.2	For post-qualification purposes. xxx 1. Latest Income Tax Returns for year 2017 <u>2018</u> (BIR Form 1701 or 1702); and 2. xxx	

B. TECHNICAL SPECIFICATIONS

REFERENCE/AMENDMENT	JUSTIFICATION/ EXPLANATION
AGENCY SPECIFICATIONS	
Lot No. 1 Item No.1 EXECUTIVE CHAIR <i>complies with the following minimum requirements unless specified:</i>	To re-identify the type of covering material of the unit.

¹ For the purpose of this Bulletin and for better understanding of its contents, the following rules shall apply: (a)

<ul style="list-style-type: none"> Material: Black Leather Leatherette, with Double Padded Perforated with Tilting Mechanism 	
Lot No. 2 Item No.2 VISITOR CHAIR <i>complies with the following minimum requirements unless specified:</i> <ul style="list-style-type: none"> Leg height: 420 mm Total Height: 1020 mm 	To conform to the prescribed design or drawing of the unit
<ul style="list-style-type: none"> Modern design with a chrome cantilever four-legged and fixed arms 	
Item No. 4 GANG CHAIR (5-Seater) <i>complies with the following minimum requirements unless specified:</i> <ul style="list-style-type: none"> Chair color: Silver 	To provide a specific color for the unit

B. BID FORM

REFERENCE/AMENDMENT		JUSTIFICATION/EXPLANATION
Item/Description	Approved Budget for the Contract	To correct the typographical error.
Executive Chair	1,146,154.00	
Executive Table		
Counter Chair (without armrest)	3,413,693.00	
Visitor Chair		
Sofa Chair (2-Seater)		
Gang Chair (5-Seater)		
Lateral Side Cabinet		

The herein amendments form an integral part of the bidding documents. Correspondingly, all other provisions in the bidding documents affected by these amendments are similarly amended or modified.

The clarifications made, explain in greater detail the purpose or intent of the requirement and do not necessarily amend that particular provision in the bidding documents.

SGD
Engr. MANUEL S. AVILA
 Chairperson, BAC II

5.4	<p>The Bidder must have completed, within the period specified in the Invitation to Bid and ITB Clause 12.1(a)(ii), a single contract that is similar to this Project, equivalent to at least fifty percent (50%) of the ABC.</p> <p>For this purpose, similar contracts shall refer to:</p> <p style="padding-left: 40px;">➤ <i>Any contract for Supply and Delivery Various Office Furniture.</i></p> <p>The PS-BAC shall consider the submissions of the bidder under ITB Clause 12.1a (ii.9) in relation to BDS Clause 12.1(a)(ii) in the determination of the bidder's completed largest single contract.</p> <p>The bidder with the lowest calculated bid (LCB) shall submit <i>within five (5) calendar days</i> from receipt of Notice from the PS BAC, proof of statement of single largest contract, which shall be copy of any verifiable documents(s) such as but not limited to the following (a) Contract/s or Purchase Order/s; (b) corresponding Sales Invoice/s; (c) Official Receipt/Cash Receipt/Collection Receipt; and (d) Certificate of Satisfactory Completion.</p>
7	No further instructions.
8.1	Subcontracting is not allowed.
8.2	Not applicable.
9.1	The Procuring Entity will hold a pre-bid conference for this Project on August 23, 2019; 10:00 AM at PS Conference Room, PS Complex, RR Road, Cristobal St., Paco, Manila.
10.1	<p>The Procuring Entity address is:</p> <p>PROCUREMENT DIVISION 2 PROCUREMENT SERVICE PS Complex, RR Road, Cristobal Street, Paco, Manila Tel Nos: 6897750 loc. 4031 or 563-9404 Email Address: <u>pd2@ps-philgeps.gov.ph</u></p>
12.1(a)	<p>The valid PhilGEPS Certificate of Registration (Platinum Membership) shall reflect the updated eligibility documents. Should the Annex A of said certificate do not reflect the updated documents, the bidder shall submit together with the Certificate, certified true copies of the updated documents.</p> <p>Notwithstanding the above requirements, the bidder may opt to submit the following eligibility documents in lieu of the submission of the PhilGEPS Certificate of Registration (Platinum Membership):</p> <ul style="list-style-type: none"> a) Business Registration; b) 2019 Mayor's Permit; c) 2018 Audited Financial Statement; d) Valid current TAX Clearance;

29.2	<p>No licenses and permits required:</p> <p>For post-qualification purposes.</p> <p>The following documents are required to be submitted within five (5) calendar days from receipt of notice from the BAC:</p> <ol style="list-style-type: none"> 1. Latest Income Tax Returns for year 2017 <u>2018</u> (BIR Form 1701 or 1702); and 2. Latest Value Added Tax Returns (Forms 2550M and 2550Q) or Percentage Tax Returns (Form 2551M) for the last six (6) months. <p>The income tax and business tax returns stated above should have been filed through the Electronic Filing and Payment System (eFPS).</p> <ol style="list-style-type: none"> 3. Proof of completion of the single largest contract as identified in the Statement of Single Largest Contract, which shall be copy of any verifiable document(s) such as but not limited to the following: (a) Contract/s or Purchase Order/s; (b) corresponding Sales Invoice/s; (c) Official Receipt/Cash Receipt/Collection Receipt; and (d) Certificate of Satisfactory Completion. 4. Updated PhilGEPS Certificate of Registration. (Platinum Membership), in the event that the PhilGEPS Certificate and the annexes submitted during Opening of Bids is not updated. 5. Submission of evidences of the item(s) being offered. <ul style="list-style-type: none"> ➤ <i>In the column "Bidder's Compliance", the bidder must state "comply" against each of the individual parameters of each specification corresponding to performance parameter of equipment offered. Statement of "comply" must be supported by evidence in a bidders bid and cross-referenced to that evidence. Evidence shall be in the form of manufacturer's or distributor's un-amended sales literature, unconditional statements or specification and compliance issued by the manufacturer or distributor, samples, independent test data etc., as appropriate.</i> 6. Submission of Prototype Sample (see attached Sample Picture submitted by the Bureau of Immigration) <p><i>N.B. Documents submitted during post-qualification as part of post-qualification documents must be certified by the authorized representative to be true copy/ies from the original.</i></p>
32.4(f)	No additional requirement.

Technical Specifications

LOT NO. 1

Item No. 1 : **EXECUTIVE CHAIR**
Quantity : **50 units**
Approved Budget per Unit : **P 8,500.00**
Total Approved Budget for the Contract : **P 425,000.00**

AGENCY SPECIFICATIONS	BIDDER'S STATEMENT OF COMPLIANCE ("COMPLY")	ACTUAL OFFER
EXECUTIVE CHAIR, <i>complies with the following minimum requirements unless specified:</i>	Brand and Model (if applicable): Reference (i.e. page no. and highlight):	
• Highback:		
• Backrest Dimension: Length: 750 mm Width: 550 mm Thickness: 80 mm		
• Seatrest Dimension: Length: 580 mm Width: 550 mm Thickness: 80 mm		
• Material: Black (Leatherette), with Double Padded Perforated with Tilting Mechanism		
• Adjustable Height Adjustment with Gas lift		
• Padded Metal Armrest finish		
• Heavy Duty Prolonged Chrome Star Base with Caster		

Item No. 2 : **EXECUTIVE TABLE**
Quantity : **50 units**
Approved Budget per Unit : **P 14,423.00**
Total Approved Budget for the Contract : **P 721,154.00**

AGENCY SPECIFICATIONS	BIDDER'S STATEMENT OF COMPLIANCE ("COMPLY")	ACTUAL OFFER
EXECUTIVE TABLE, <i>complies with the following minimum requirements unless specified:</i>	Brand and Model (if applicable): Reference (i.e. page no. and highlight):	
Dimension: • Length: 1500 mm • Width: 750 mm • Height: 750 mm • Thickness (Top): 6 cm (60 mm)		

Material:		
• Medium Density Fiber Board (MDF) in Glossy Mahogany Brown Finish		
• Leatherette on Top		
• With Built-in 3 Drawers Cabinet with Centralized Lock with Key		
• Center Drawer Size: Length: 380 mm Width: 380 mm		

I hereby certify that the statement of compliance to the foregoing technical specifications are true and correct, otherwise, if found to be false either during bid evaluation or post-qualification, the same shall give rise to automatic disqualification of our bid.

Name of Company	Signature Over Printed Name of Authorized Representative	Date
-----------------	---	------

LOT NO. 2

<u>Item No. 1</u>	:	COUNTER CHAIR
Quantity	:	300 units
Approved Budget per Unit	:	P 4,580.00
Total Approved Budget for the Contract	:	P 1,374,000.00

AGENCY SPECIFICATIONS	BIDDER'S STATEMENT OF COMPLIANCE ("COMPLY")	ACTUAL OFFER
COUNTER CHAIR, <i>complies with the following minimum requirements unless specified:</i>	Brand and Model (if applicable): Reference (i.e. page no. and highlight):	
• Backrest Dimension: Mid-back Length: 480 mm Width: 520 mm		
• Seatrest Dimension: Length: 450 mm Width: 480 mm		
• Pneumatic height adjustment (Manufacturer's Standard)		
• Heavy Duty Prolonged Chrome Star Base with Caster and Stopper		
• Black Leatherette with Tilting Mechanism		
• Adjustable Height with Gaslift, without Armrest		

Item No. 2 : **VISITOR CHAIR**
Quantity : **100 units**
Approved Budget per Unit : **P 5,500.00**
Total Approved Budget for the Contract : **P 550,000.00**

AGENCY SPECIFICATIONS	BIDDER'S STATEMENT OF COMPLIANCE ("COMPLY")	ACTUAL OFFER
VISITOR CHAIR, <i>complies with the following minimum requirements unless specified:</i>	Brand and Model (if applicable): Reference (i.e. page no. and highlight):	
• Backrest: Width: 500 mm Length: 600 mm		
• Seatrest: Width: 500 mm Length: 480 mm		
• Leg Height: 420 mm		
• Total Height: 1020 mm		
• Modern design with a chrome four legged and fixed arms		
• Cushioned seat rest and backrest with armrests		
• Black leatherette upholstery		
• Chrome plated base.		

Item No. 3 : **SOFA CHAIR (2-SEATER)**
Quantity : **25 units**
Approved Budget per Unit : **P 15,280.00**
Total Approved Budget for the Contract : **P 382,000.00**

AGENCY SPECIFICATIONS	BIDDER'S STATEMENT OF COMPLIANCE ("COMPLY")	ACTUAL OFFER
SOFA CHAIR (2-SEATER), <i>complies with the following minimum requirements unless specified:</i>	Brand and Model (if applicable):	
• Two Seater Sofa, Length: 1,300 mm Width: 650 mm Height: 650 mm		
• Moulded Thick Foam Seatpad and Backrest w/ Armrest		
• Fixed Cushioned Seatpad, German Leather, Metal Legs.		

Item No. 4 : **GANG CHAIR (5-SEATER)**
Quantity : **100 units**
Approved Budget per Unit : **P 10,500.00**
Total Approved Budget for the Contract : **P 1,050,000.00**

AGENCY SPECIFICATIONS	BIDDER'S STATEMENT OF COMPLIANCE ("COMPLY")	ACTUAL OFFER
GANG CHAIR (5-SEATER), <u>complies with the following minimum requirements unless specified:</u>	Brand and Model (if applicable): Reference (i.e. page no. and highlight):	
• Metal with armrest on both end,		
• Seat & Back Shell: Cold Rolled steel in Chrome Finish,		
• Chair color: <u>Silver</u>		
• Perforated seat,		
• Frame, Armrests & Legs: Cold rolled steel in Chrome Finish,		
• Dimension: Length: 2,950 mm Width: 680 mm Height: 800 mm		

Item No. 5 : **LATERAL SIDE CABINET**
Quantity : **10 units**
Approved Budget per Unit : **P 5,769.30**
Total Approved Budget for the Contract : **P 57,693.00**

AGENCY SPECIFICATIONS	BIDDER'S STATEMENT OF COMPLIANCE ("COMPLY")	ACTUAL OFFER
LATERAL SIDE CABINET, <u>complies with the following minimum requirements unless specified:</u>	Brand and Model (if applicable): Reference (i.e. page no. and highlight):	
• Medium Density Fiber Board (MDF), in Glossy Mahogany Brown Finish,		
• With Two Cabinet with Door, Keyboard Tray, with shelves,		
• Size: Length: 1,200 mm Width: 400 mm Height: 600 mm		

I hereby certify that the statement of compliance to the foregoing technical specifications are true and correct, otherwise, if found to be false either during bid evaluation or post-qualification, the same shall give rise to automatic disqualification of our bid.

Name of Company	Signature Over Printed Name of Authorized Representative	Date
-----------------	---	------

Bid Form

Date: _____
 Invitation to Bid No: **PB19-263-2**

To: *The DBM-PS BAC II Chairperson
 Procurement Service
 PS Complex, RR Road
 Cristobal St., Paco, Manila*

Gentlemen and/or Ladies:

Having examined the Bidding Documents including Bid Bulletin Numbers [____], the receipt of which is hereby duly acknowledged, we, the undersigned, offer to **Supply and Delivery of Various Office Furniture for the Bureau of Immigration (BI)** in conformity with the said Bidding Documents.

Lot No.	Item No.	Qty	UOM	Item/ Description	Total Price
1	1	50	Units	Executive Chair	
	2	50	Units	Executive Table	
2	1	300	Units	Counter Chair (without armrest)	
	2	100	Units	Visitor Chair	
	3	25	Units	Sofa Chair (2-Seater)	
	4	100	Units	Gang Chair (5-Seater)	
	5	10	Units	Lateral Side Cabinet	

TOTAL PRICE IN WORDS:

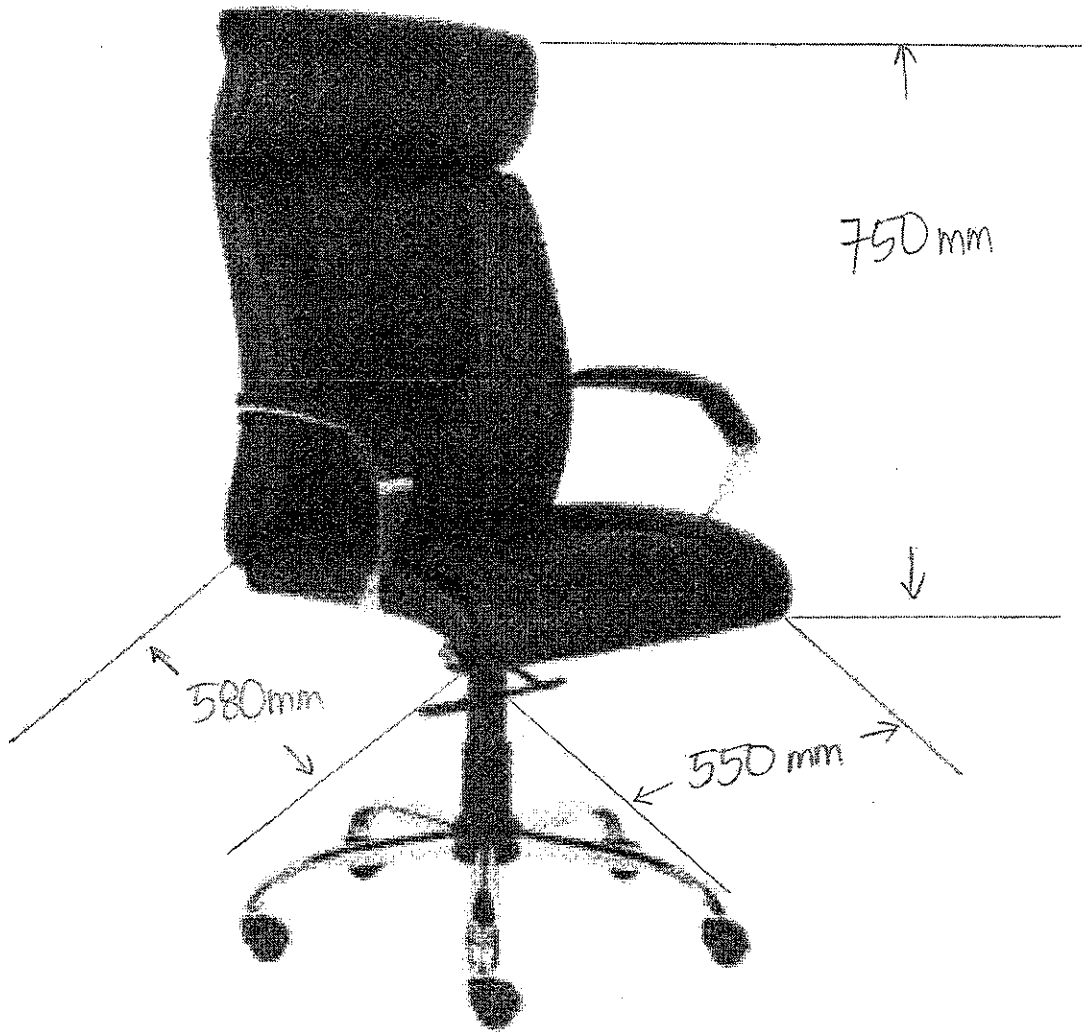
Lot No. 1: _____

Lot No. 2: _____

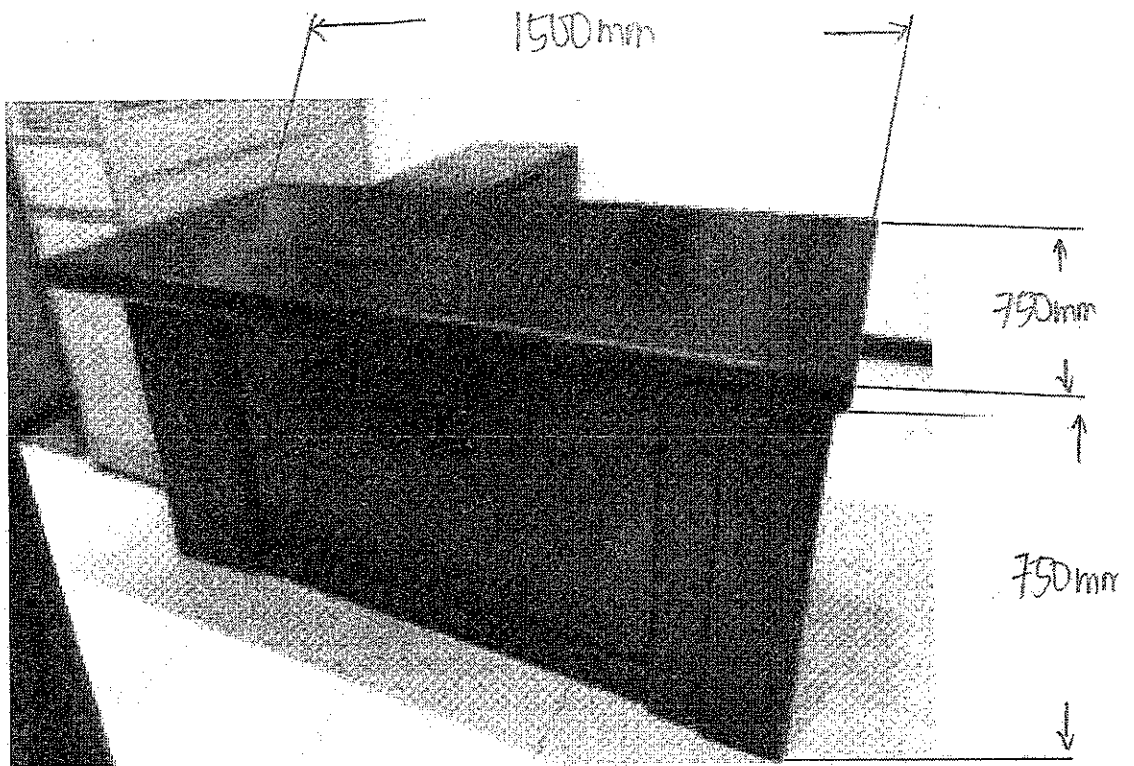
We undertake, if our Bid is accepted, to deliver the goods in accordance with the delivery schedule specified in the Section VI. Schedule of Requirements.

If our Bid is accepted, we undertake to provide a performance security in the form, amounts, and within the times specified in the Bidding Documents.

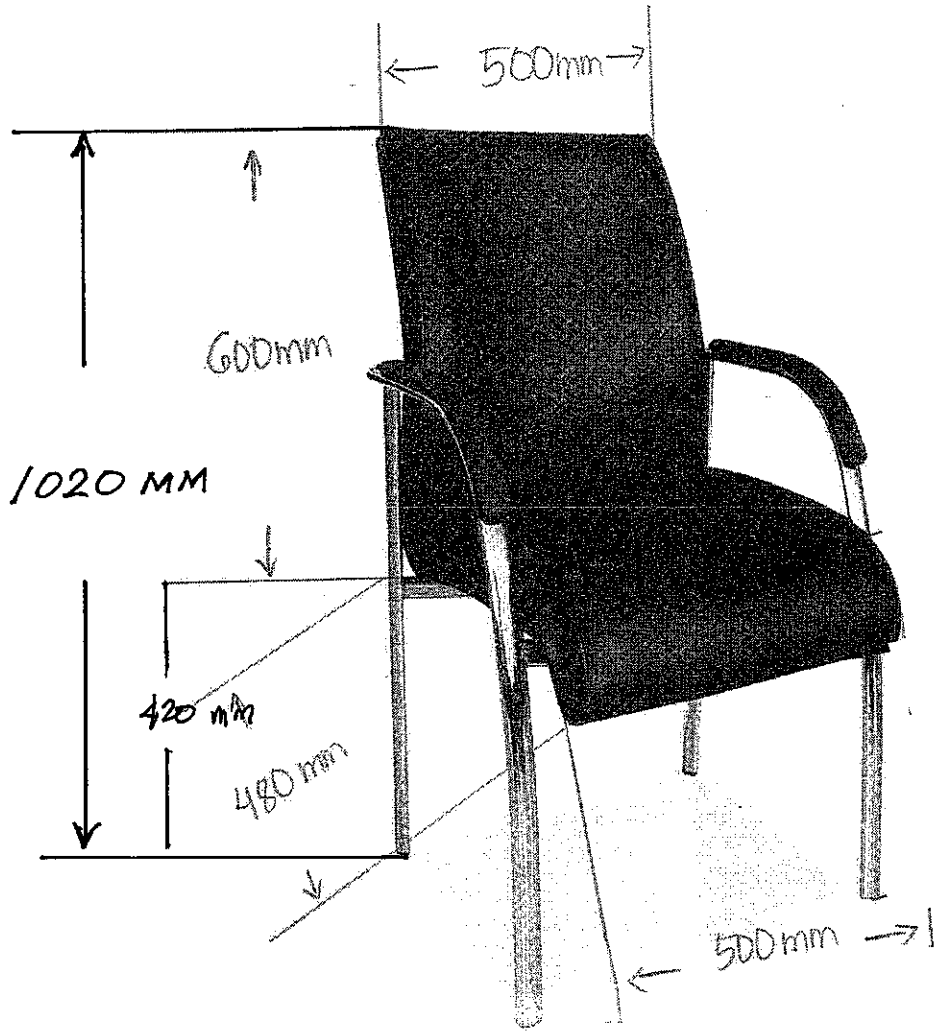
EXECUTIVE CHAIR



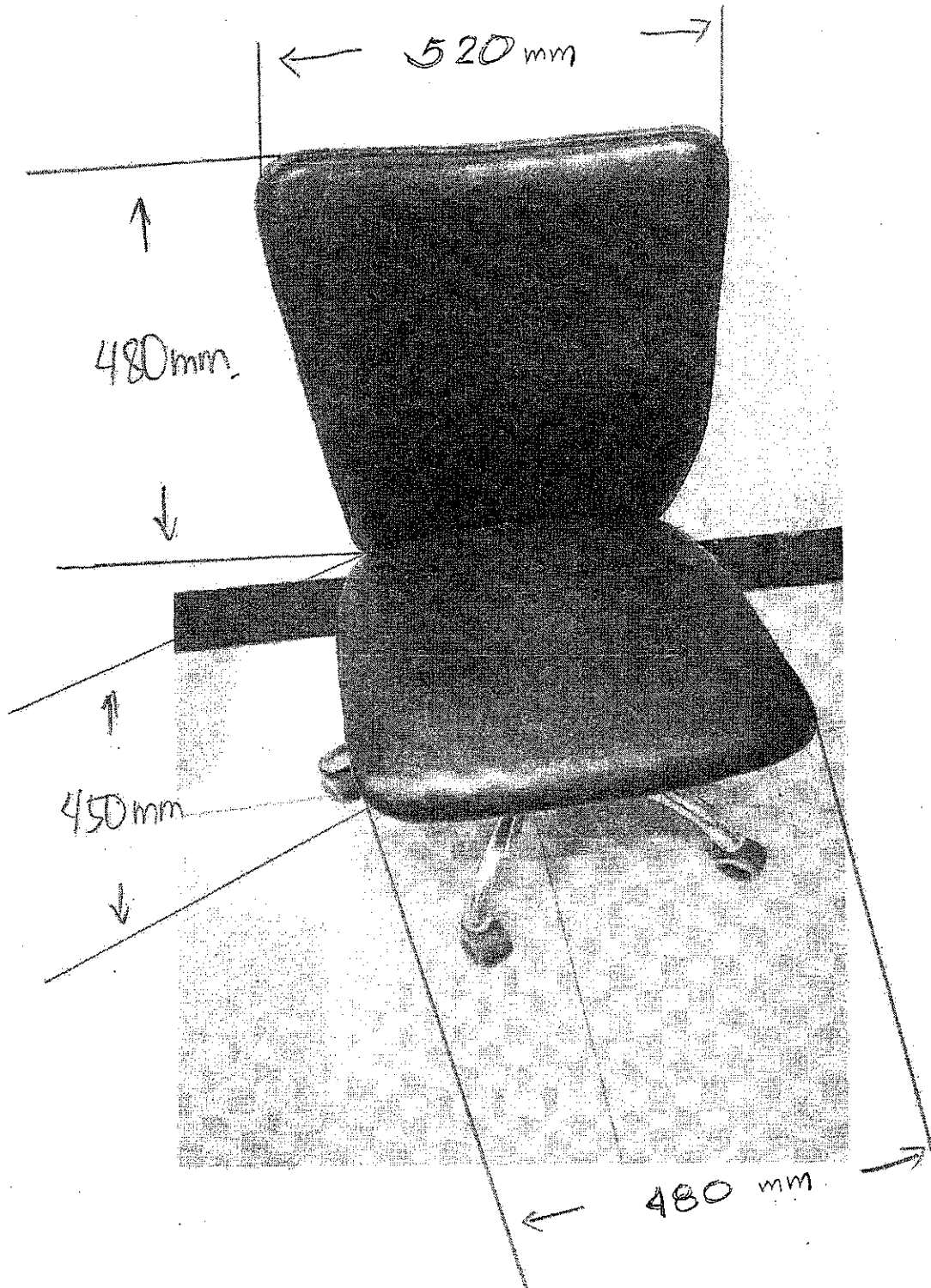
EXECUTIVE TABLE



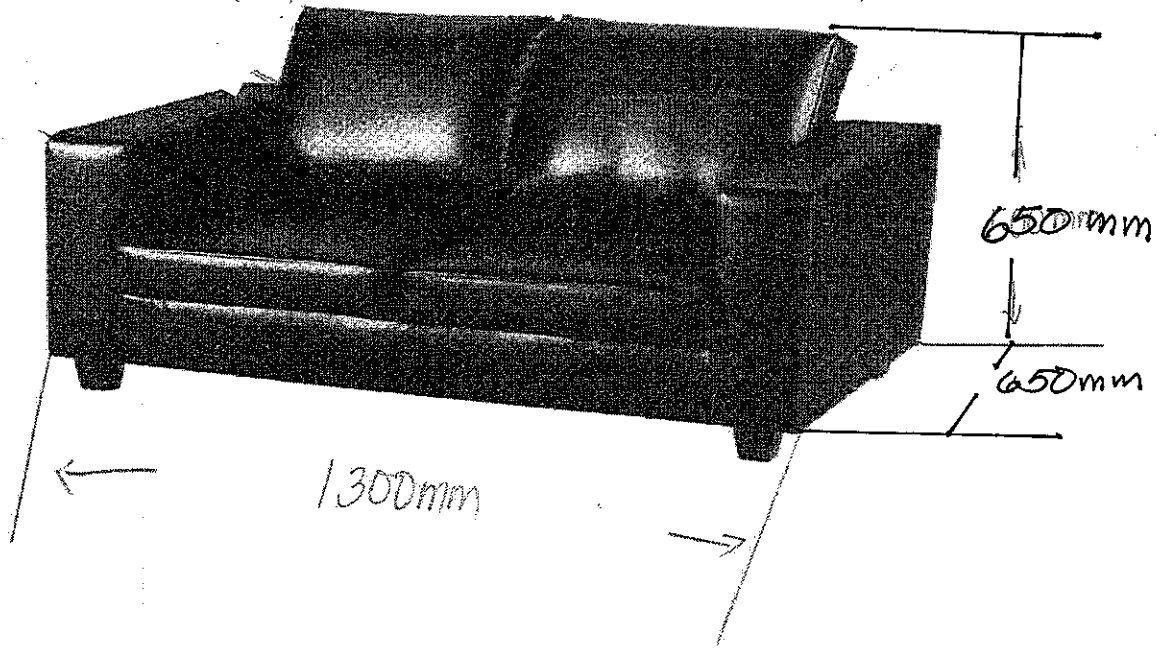
VISITOR CHAIR



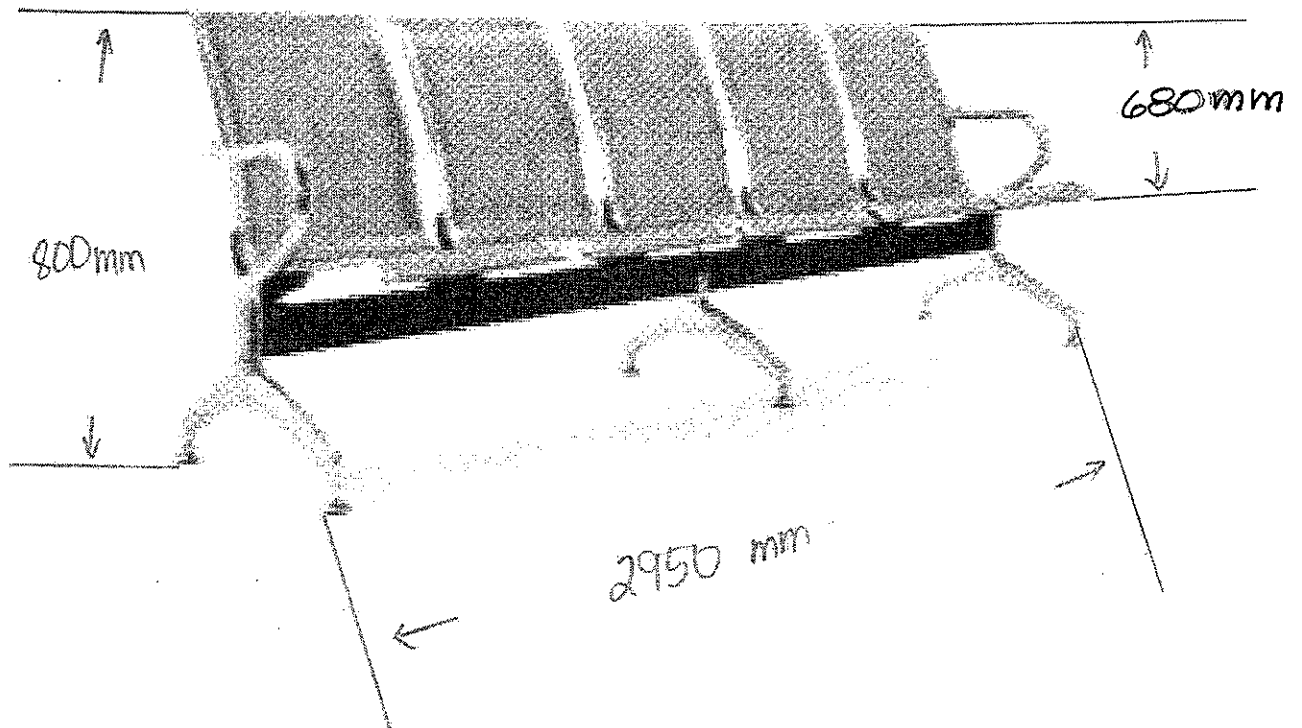
COUNTER CHAIR



SOFA CHAIR



GANG CHAIR



LATERAL SIDE CABINET

