

Technical Requirements for
PENCIL SHARPENER

PRODUCT SPECIFICATIONS

- Manual
- Table Mountable type, with metal clamp
- Single cutter-head
- One hole guide, 9-10mm in a diameter
- All main parts shall be made of metal particularly the cutting mechanism
 - Cutter
 - Pinion Gear
 - Internal Gear
 - Handle
- Construction/Structure:
 - Body/Casing shall be metal.
 - All parts shall be fitted to each other, attached properly and securely.
 - The shavings shall not disperse inside the cutting blades during sharpening.
 - The waste case shall be easily removed and kept in the position during sharpening.
 - The cutter and the cutter holder shall rotate smoothly according to the rotation of the handle.
 - The handle shall be provided with a knob on its end part for easy sharpening.
 - The feeding device shall hold the pencil firmly and guide the pencil continuously inwards into the blade for even sharpening.
- Shall pass the performance test

EVIDENCE AND VERIFICATION

- **In-House Test:**
 - Manual
 - Table Mountable type, with metal clamp
 - Single cutter-head

Handwritten notes in blue ink, including initials and symbols: "as", "cus", "va", "mtr", "a", "g", "b", "pc", "pb", and a star symbol.

- Determine the diameter by using the steel ruler:
 - One hole guide, 9-10mm in a diameter
- Construction/Structure:
 - Body/Casing shall be metal
 - All parts shall be fitted to each other, attached properly and securely.
 - The shavings shall not disperse inside the cutting blades during sharpening.
 - The waste case shall be easily removed and kept in the position during sharpening.
 - The cutter and the cutter holder shall rotate smoothly according to the rotation of the handle.
 - The handle shall be provided with a knob on its end part for easy sharpening.
 - The feeding device shall hold the pencil firmly and guide the pencil continuously into the blade for even sharpening.
- All main parts shall be made of metal particularly the cutting mechanism
 - Cutter
 - Pinion Gear
 - Internal Gear
 - Handle
- Performance test:
 - Each part of the sharpener shall be free from abnormality such as breakage and deformation when dropped once from a standard table height of 70cm, with the base parallel to the floor surface (waste case not included in the test).
- One (1) sample unit with marking/labeling shall be provided by the bidder during the submission of additional post-qualification documents for verification of the product specifications.

PACKAGING

- In individual hard plastic or box
Twenty-four (24) pieces per carton or Standard packaging of the manufacturer
- Additional Requirement on Packaging, refer to the attached Annex "A"

Handwritten notes in blue ink:
 a, b, c, d, e, f, g, h, i, j, k, l, m, n, o, p, q, r, s, t, u, v, w, x, y, z, 1, 2, 3, 4, 5, 6, 7, 8, 9, 10, 11, 12, 13, 14, 15, 16, 17, 18, 19, 20, 21, 22, 23, 24, 25, 26, 27, 28, 29, 30, 31, 32, 33, 34, 35, 36, 37, 38, 39, 40, 41, 42, 43, 44, 45, 46, 47, 48, 49, 50, 51, 52, 53, 54, 55, 56, 57, 58, 59, 60, 61, 62, 63, 64, 65, 66, 67, 68, 69, 70, 71, 72, 73, 74, 75, 76, 77, 78, 79, 80, 81, 82, 83, 84, 85, 86, 87, 88, 89, 90, 91, 92, 93, 94, 95, 96, 97, 98, 99, 100

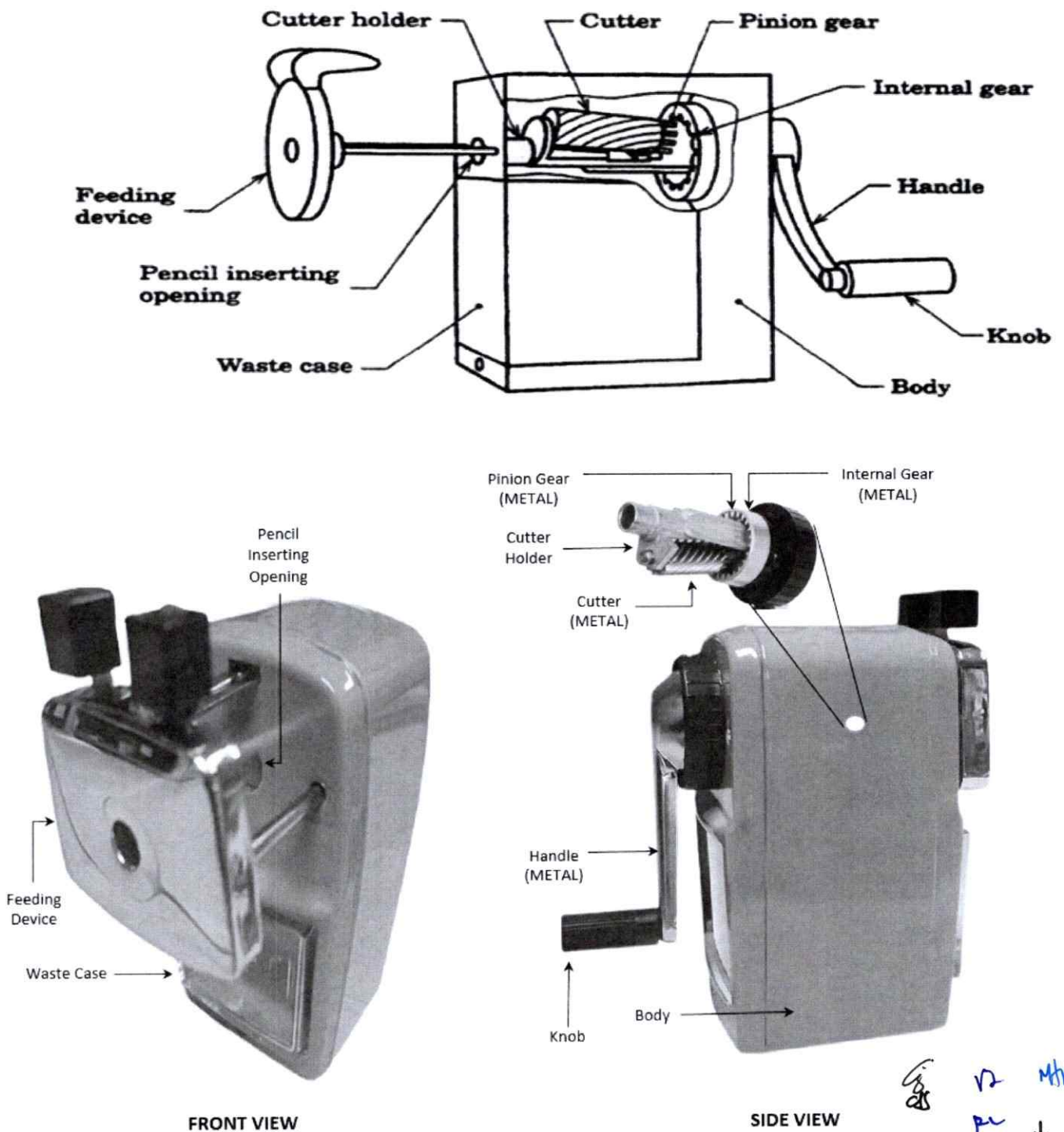
MARKING/LABELING

- Shall conform with the minimum Marking and Labeling Requirements under Article 77 of Republic Act 7394 (Consumer Act of the Philippines) whichever is/are applicable among those requirements to this item.

REFERENCES

- PNS 2032:2004

ILLUSTRATION



Handwritten notes and signatures:
G
12
MHR
N
L
J
gb